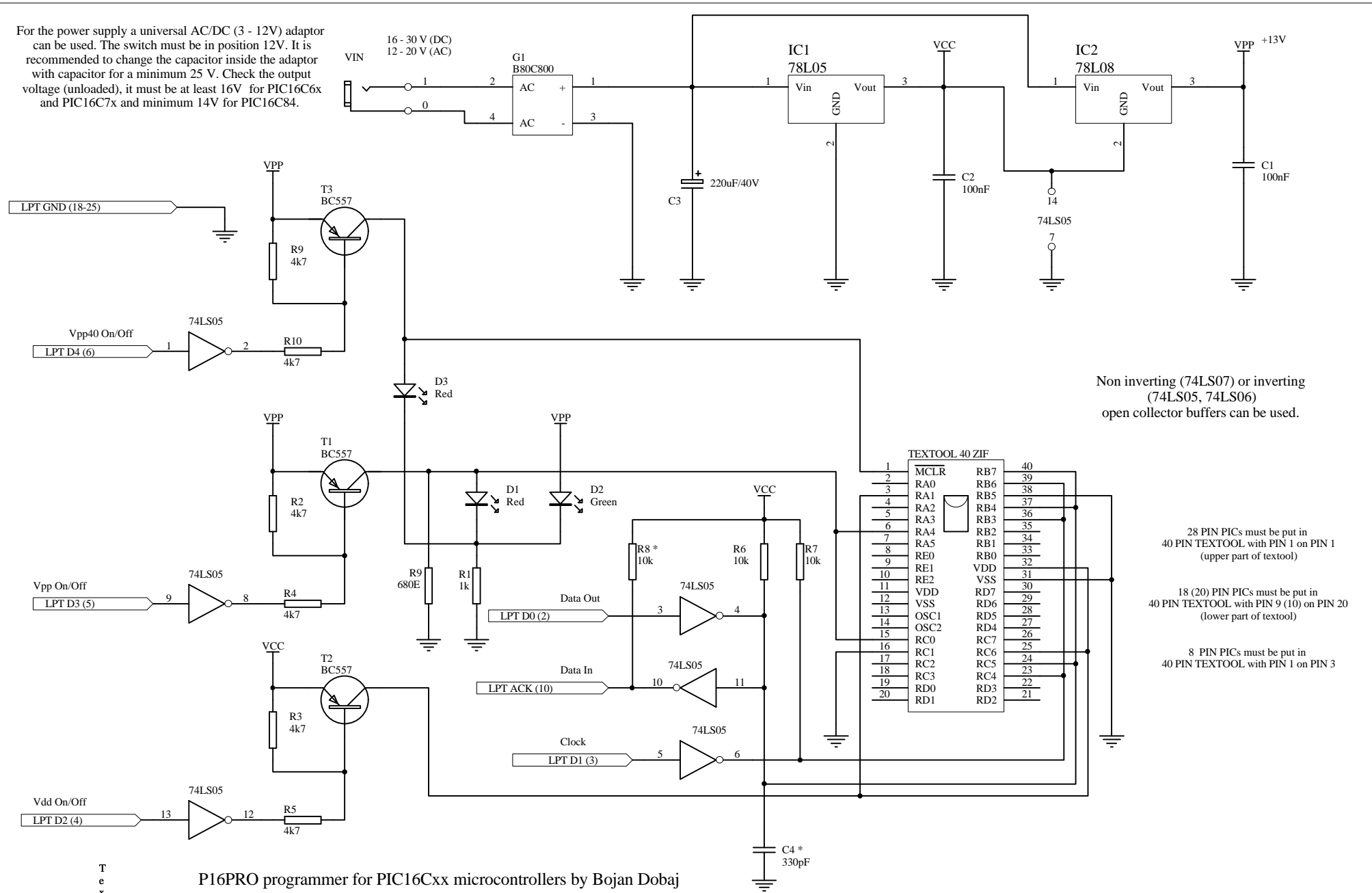


For the power supply a universal AC/DC (3 - 12V) adaptor can be used. The switch must be in position 12V. It is recommended to change the capacitor inside the adaptor with capacitor for a minimum 25 V. Check the output voltage (unloaded), it must be at least 16V for PIC16C6x and PIC16C7x and minimum 14V for PIC16C84.



Non inverting (74LS07) or inverting (74LS05, 74LS06) open collector buffers can be used.

28 PIN PICs must be put in 40 PIN TEXTTOOL with PIN 1 on PIN 1 (upper part of textool)

18 (20) PIN PICs must be put in 40 PIN TEXTTOOL with PIN 9 (10) on PIN 20 (lower part of textool)

8 PIN PICs must be put in 40 PIN TEXTTOOL with PIN 1 on PIN 3

P16PRO programmer for PIC16Cxx microcontrollers by Bojan Dobaj

T
e
x
t